



# Additional Security

Window locks

Door bolts

Footbolt

Door viewers

Door chains

Cylinder pull

Hinge bolts

Foot bolt

PVCu window handles

Door closers

# Yale® Additional Security

Yale offer an extensive range of quality secondary security products. Locks are available to suit wooden casement, wooden sash, and metal windows. Additional security fittings, such as bolts and lockable handles are also available.

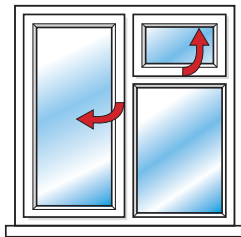
## HOW TO SPECIFY

Yale have developed a series of picture icons to simplify the process of product specification. Now you can specifically choose the product, that includes particular security features, and therefore ensure that the right products are used on the right application.

## WINDOW TYPES

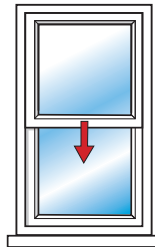
### Hinged casement windows

- T** Solid Timber
- M** Metal

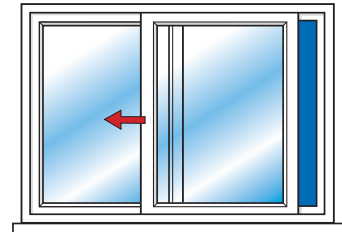


### Narrow frame

Many Yale locks have a body of 20mm or less and are therefore suitable for a narrow frame



### Sliding sash windows



## FEATURES AND FUNCTIONS



### Ventilation position

Some locks allow the window to be locked both in the closed and in a slightly open position allowing ventilation.



### Wedge

For tapered frames, a wedge is supplied to square up the lock to the window section.



### Universal or unique key

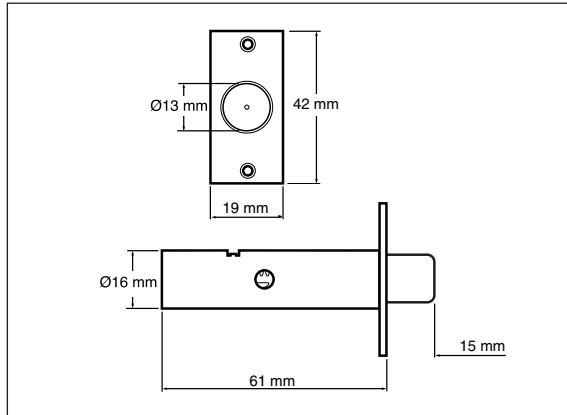
**Universal key** means there is one standard key that works the lock.

**Unique Key** means that variations of the key shape provide a different number of keys to the lock.

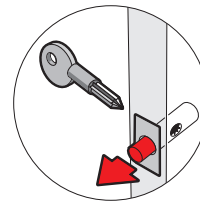
**Please note:** All dimension drawings are in mm's.

**PM444 Door Security Bolt**

**TRADE PACKS AVAILABLE**



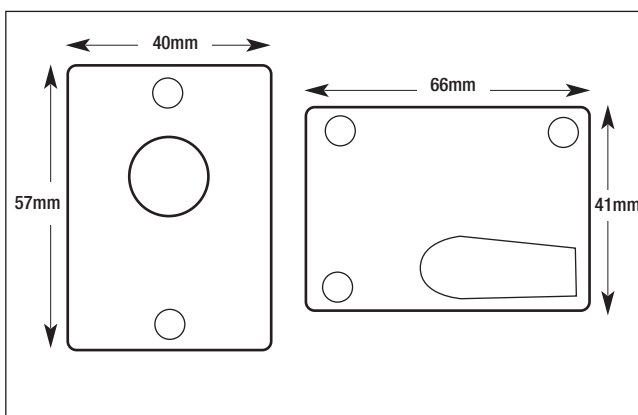
- Mortise fixing with bolt throwing into the door frame
- Suitable for wooden doors
- Door bolt is concealed within the door



Prod Code	Item Description	Finish	Replaces Chubb Part No.
P-2PM444KB	Door security bolt key	-	
P-M444KB	Door security bolt key	-	
PM44T-PB	PM44T Thumbturn	Brass	
PM44T-CH	PM44T Thumbturn	Chrome	
P-M444-CH	Door Security Bolt	Chrome	
P-M444-WE	Door Security Bolt	White	V-8002LK-WE
P-M444-PB	Door Security Bolt	Brass	V-8002LK-PL
P-2PM444-CH-2	Pack of 2 Door Security Bolt	Chrome	
P-2PM444-WE-2	Pack of 2 Door Security Bolt	White	V-8002-2-WE
P-2PM444-PB-2	Pack of 2 Door Security Bolt	Brass	V-8002-2-PL
<b>B-M444-50-PL</b>	<b>Pack of 50 Door Security Bolt</b>	<b>Brass</b>	<b>B-8002-50-PL</b>
<b>B-M444-50-WE</b>	<b>Pack of 50 Door Security Bolt</b>	<b>White</b>	<b>B-8002-50-WE</b>

**SUITABLE REPLACEMENT FOR CHUBB V-8002 SERIES**

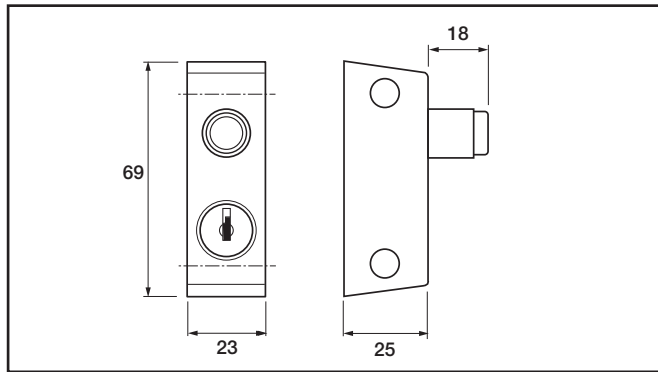
**P127 Indicator Bolt**



- Privacy lock for use on bathrooms or W.C. doors
- Emergency facility allows access to be gained outside by using a coin or screw driver
- Suitable for inward opening wooden doors hinged on the left or right

Prod Code	Description	Finish
P127-EB	Indicator Bolt	EB
P127-SC	Indicator Bolt	SC

**8K119 Indicator Lock**



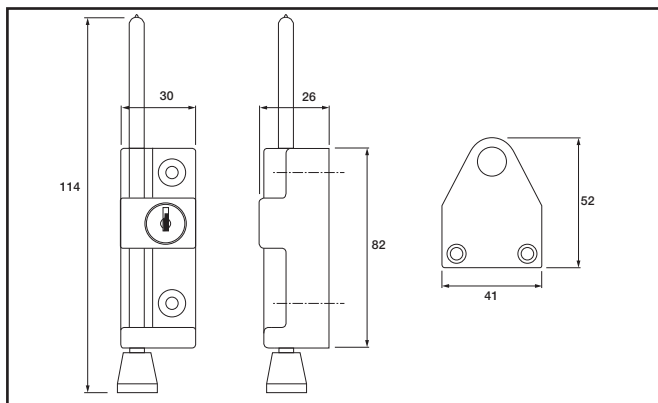
- Suitable for securing single or double aluminium sliding doors
- Simple push to lock action with visible lock status indicator
- A key differing mechanism releases the lock



Prod Code	Finish	Pack
V-8K119-SC	Satin Chrome	1 in pack
V-8K119-WE	White	1 in pack

**8K116 Multi Purpose Door Bolt**

**TRADE PACKS AVAILABLE**

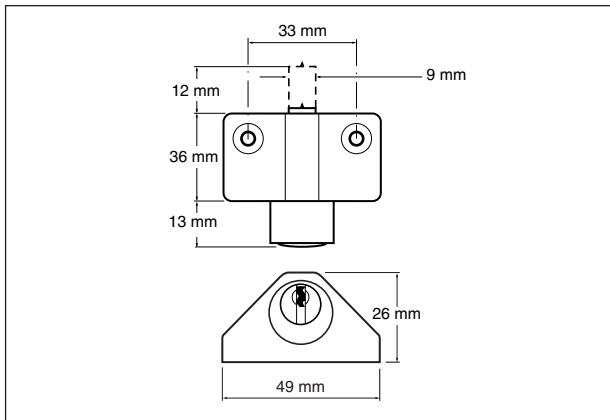
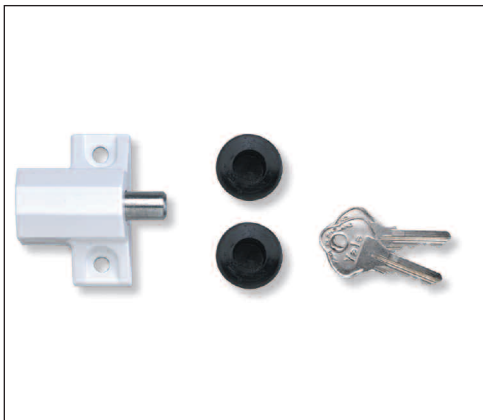


- Suitable for securing single or double aluminium sliding doors by means of the steel locking bar
- Also suitable for hinged doors and wooden doors (fixings included)
- Simple push to lock action
- A key differing mechanism releases the bar from the frame

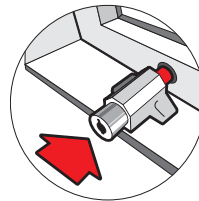


Prod Code	Finish	Pack
V-8K116-BR	Brown	1 in pack
V-8K116-SE	Silver	1 in pack
V-8K116-WE	White	1 in pack
<b>B-8K116-20-WE</b>	<b>White</b>	<b>Pack of 20</b>
<b>B-8K116-20-SE</b>	<b>Silver</b>	<b>Pack of 20</b>

**P114 Patio Door Lock**

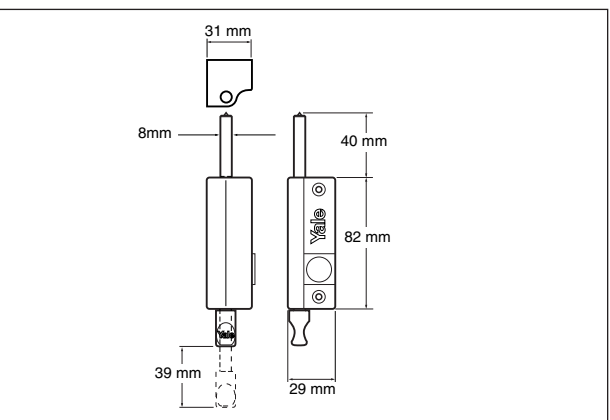


- Simple, effective security
- Suitable for most sliding patio doors
- Push to lock action (no key required)
- Offers an optional ventilation position
- Features security clutch-head screws

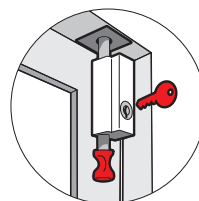


Prod Code	Item Description	Finish
P-114-PB	Patio Door Lock	Brass
P-114-CH	Patio Door Lock	Chrome
P-114-G	Patio Door Lock	Gold
P-114-WE	Patio Door Lock	White
P-114-DMG	Patio Door Lock	Grey

**P124 Multi-Purpose Door Bolt**

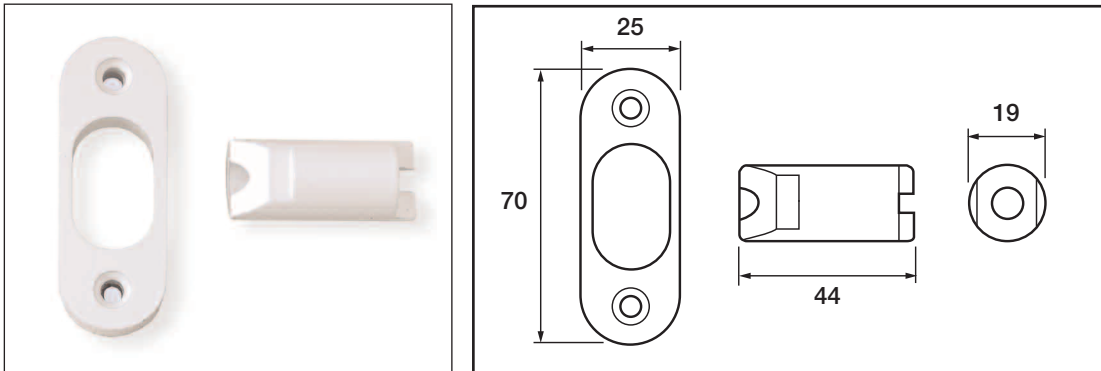


- Surface fixed bolt suitable for both aluminium sliding doors and flush wooden doors
- Offers additional security to internal and external doors



Prod Code	Item Description	Finish
P-124-PB	Door Pushbolt	Brass
P-124-CH	Door Pushbolt	Chrome
P-124-WE	Door Pushbolt	White

**WS12 Hinge Bolts**

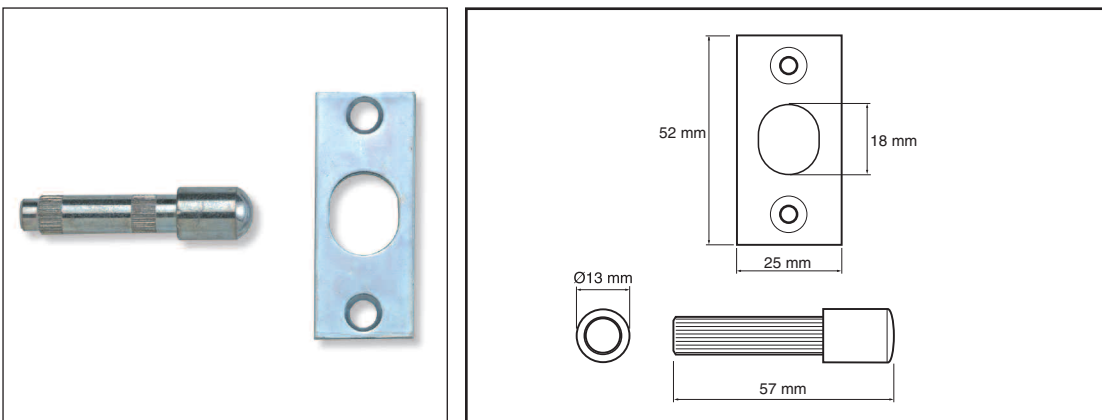


- Hinge bolts help keep the door in the frame on the hinged side aiding protection against a force attack
- Recommended for use in outward opening doors

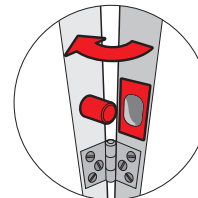


Prod Code	Finish	Pack
V-WS12-2-WE	White	2 in pack

**P125 Hinge Bolts**



- Ideal for outward opening doors
- Automatically engages and disengages when opening and closing the doors
- Hinge bolts will resist hacksawing and attempts to remove the door from its frame

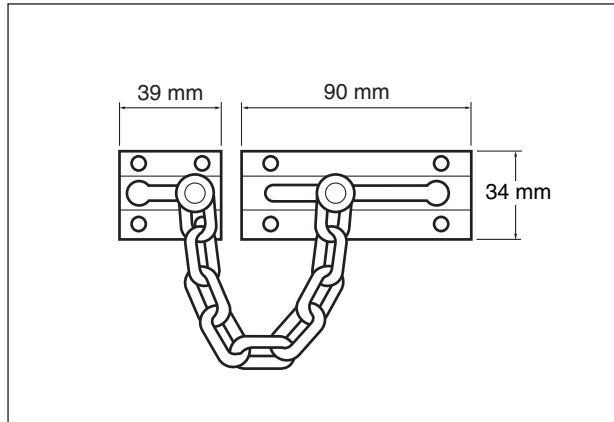


Prod Code	Item Description	Finish	Replaces Chubb Part No.
P-125-SC	Hinge bolts	Zinc	V-WS14-2-BZ
P-125-PB	Hinge bolts	Brass	

**SUITABLE REPLACEMENT FOR CHUBB V-WS14-2-BZ**



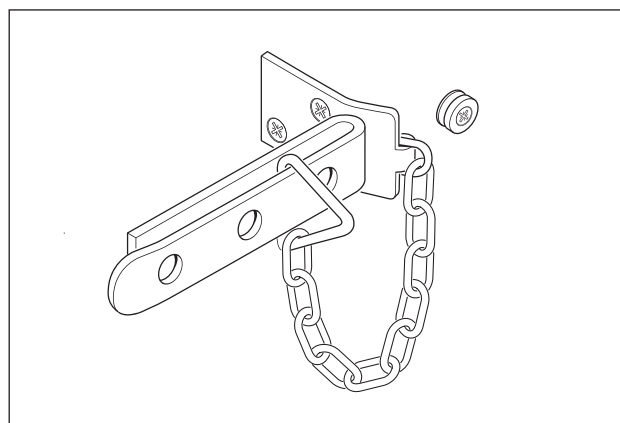
**P1037 Door Chain**



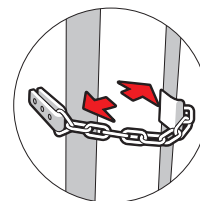
- Helps identify a caller before the door is fully released
- Simple to install
- Surface fitted security accessory

Prod Code	Item Description	Finish
P-1037-PB	Door Chain	Brass
P-1037-CH	Door Chain	Chrome

**P1040 High Security Door Chain**



- Heavy duty
- Surface fitted accessory
- Simple to install
- Helps identify caller before the door is fully released
- Suitable for use on internal doors 850-1100mm wide
- Suitable for use on external doors 950mm wide



Prod Code	Item Description	Finish
P-1040-PB	Door Security Chain	Brass
P-1040-SC	Door Security Chain	Satin Chrome

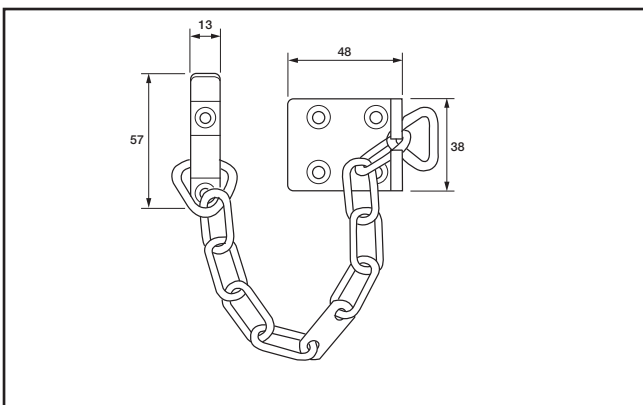


# Additional Security

# Door Chains

## WS6 Door Chain

**TRADE  
PACKS  
AVAILABLE**

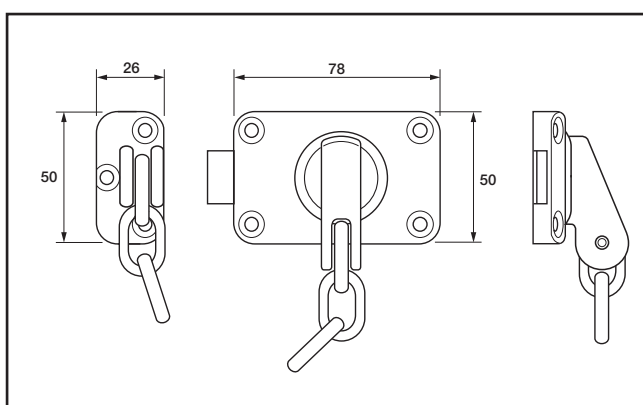


- Simple to install and easy to use
- Helps to hold the door in the slightly open position, restraining against a force attack
- Helps you to identify a caller before the door is fully released



Prod Code	Finish	Pack
V-WS6-CH	Chrome	1 in pack
V-WS6-EB	Brass	1 in pack
V-WS6-SC	Satin Chrome	1 in pack
<b>B-WS6-20-EB</b>	<b>Brass</b>	<b>Pack of 20</b>
<b>B-WS6-20-SC</b>	<b>Satin Chrome</b>	<b>Pack of 20</b>

## WS16 Combined Door Chain and Bolt



### The ultimate door chain

- Integral steel dead bolt for additional security
- Heavy Duty Chain helps protect against cropping attack
- Safe caller identification
- Angled fixing screws help door restraint against a force attack

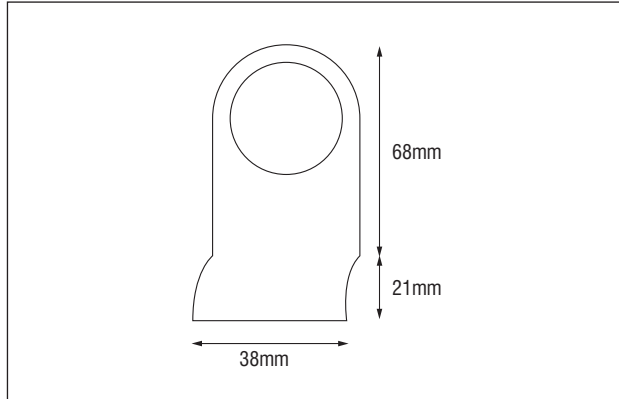


Prod Code	Finish	Pack
V-WS16-EB	Brass	1 in pack

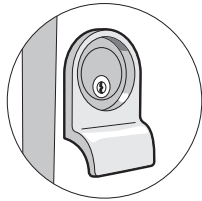




**P110 Cylinder Pull**



• For use with all Yale cylinder rim locks except for PBS1/PBS2



**Prod Code**

**Item Description**

**Finish**

P-110-CH

Cylinder pull

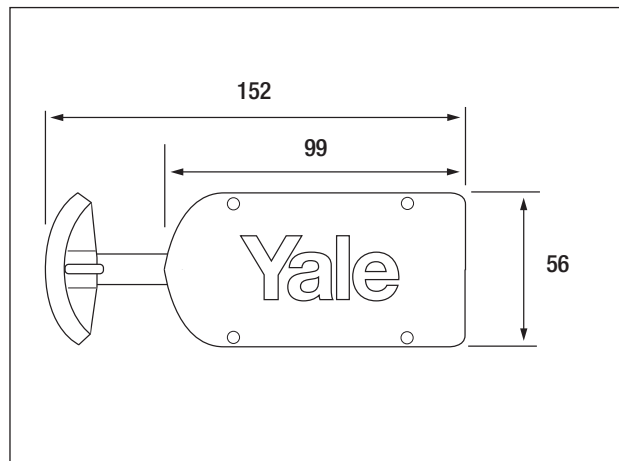
Chrome

P-110

Cylinder pull

Brass

**P126 Footbolt**



**Ideal for the elderly and people with back problems – no bending down required**

- Pedal operated bolt which fits on the bottom of your door
- Push down the pedal once to engage the bolt and push down again to disengage
- Easy to fit and simple to operate with low resistance mechanism
- Available in chrome and brass finish

**Prod Code**

**Item Description**

**Finish**

P126 - PB

Yale Foot Bolt Brass

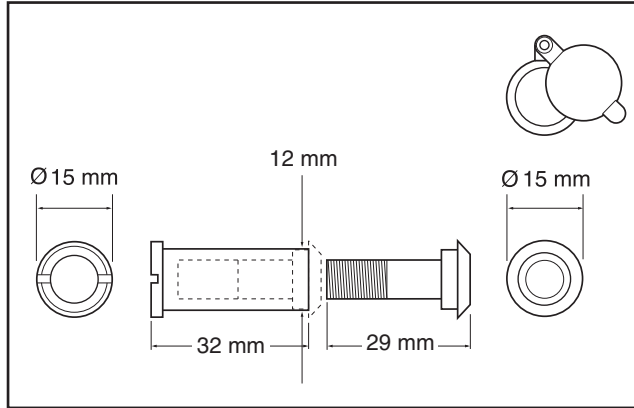
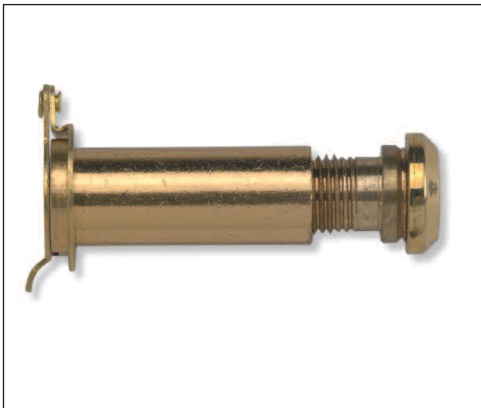
Brass

P126 - CH

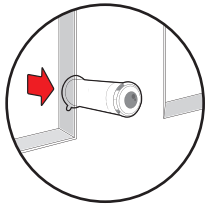
Yale Foot Bolt Chrome

Chrome

**P9401 Door Viewer**



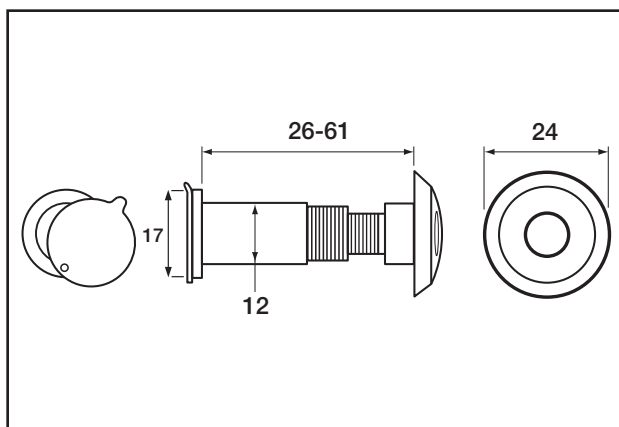
- Adjustable to fit door thickness 35mm - 57mm
- Wide range angle view 180°
- Helps identify callers before opening the door
- Suitable for wooden external doors



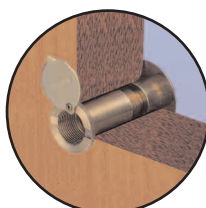
Prod Code	Item Description	Finish	Replaces Chubb Part No
P-9401-CH	Door Viewer	Chrome	V-WS13-CH
P-9401-PB	Door Viewer	Brass	V-WS13-GL

**SUITABLE REPLACEMENT FOR CHUBB V-WS13 SERIES**

**8V001 Wide Angle Door Viewer**



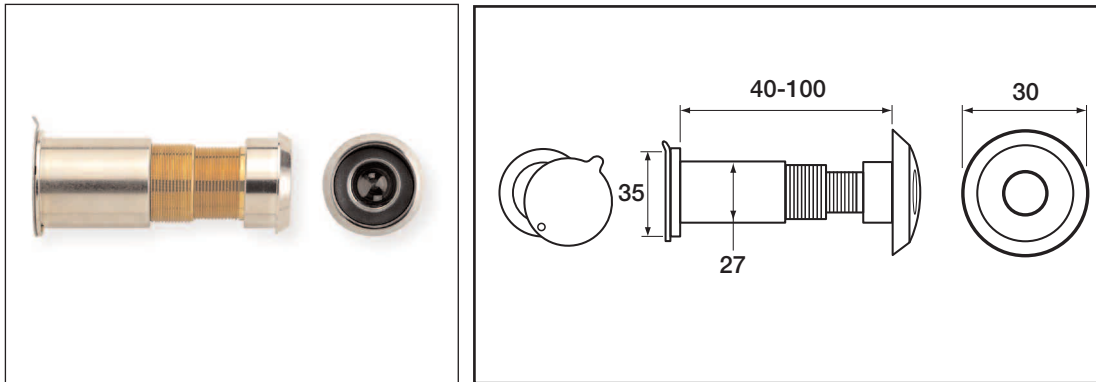
- Adjustable to suit various door thicknesses



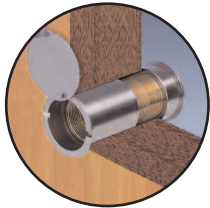
Prod Code	Finish	Pack
V-8V001-CH	Chrome	1 in pack
V-8V001-GL	Brass	1 in pack



**WS9 Commercial Door Viewer**



- Adjustable to suit various door thicknesses



**Prod Code**

B-WS9-CH  
B-WS9-GL

**Finish**

Chrome  
Brass

**Pack**

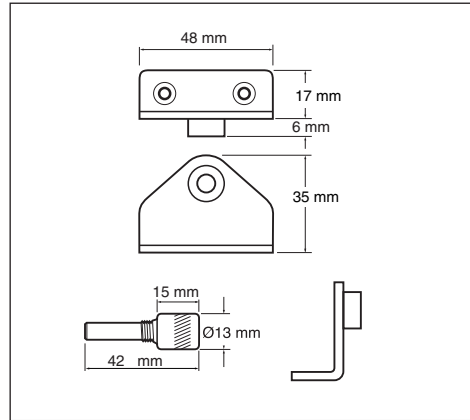
1 in pack  
1 in pack



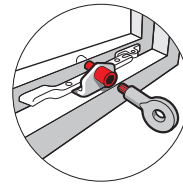
# Additional Security

# Window locks

## P120 Staybolt

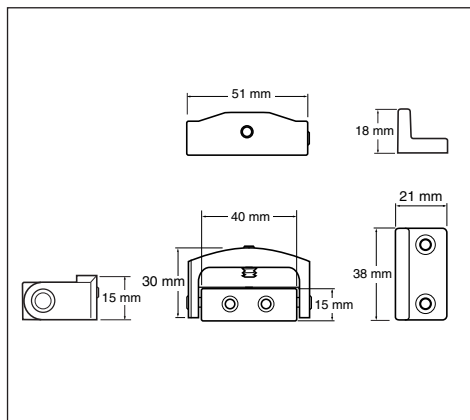
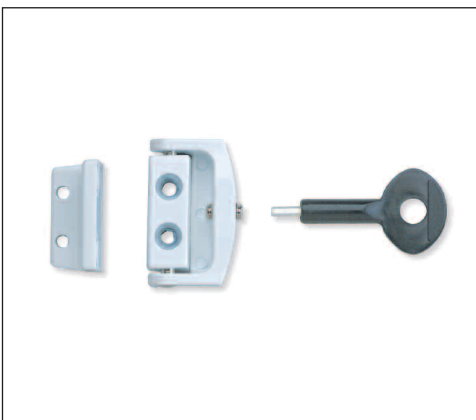


- Existing stay fits onto the lock and the bolt prevents the stay from moving
- Pack of 6
- Suitable for timber casement windows

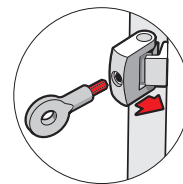


Prod Code	Item Description	Finish
P-6P120-6	Window stay bolts	White

## P113 Toggle window lock



- Surface fixed lock that swings over a frame fixed striking plate
- Suitable for timber casement windows
- Available in pack of 1 or 2



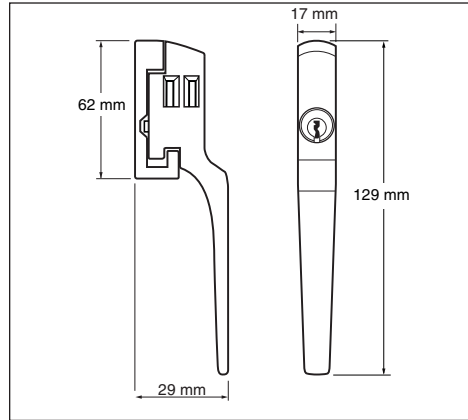
Prod Code	Item Description	Finish
P-2P113-WE-2	Toggle Window Locks	White
P-113-WE	Toggle Window Locks	White



# Additional Security

# Window handles

## P115 Lockable Window Handle

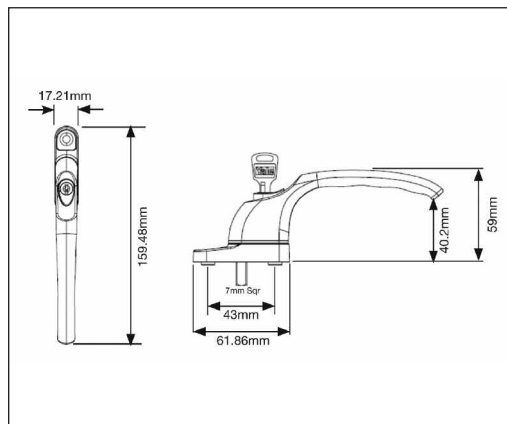


- Surface fixed handle incorporating the lock mechanism
- Locks both in closed and ventilation positions
- Fits both right and left hand opening windows
- Suitable for narrow framed windows

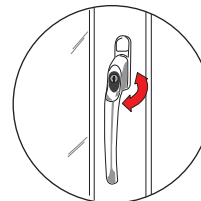


Prod Code	Item Description	Finish
P-115-PB	Lockable window handle	Brass
P-115-CH	Lockable window handle	Chrome
P-115-WE	Lockable window handle	White

## P-YWHLCK40N PVCu Window Handle



- Replacement window handle to fit PVCu windows
- Fits all concealed espagnolette and shootbolt locking systems
- Push button operation with key deadlocking for additional security
- 40mm spindle which can be cut down to fit different window profiles



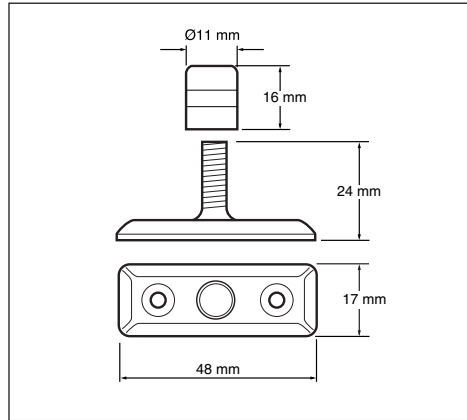
Prod Code	Item Description	Finish
P-YWHLCK40N-WH	PVCu window handle	White
P-YWHLCK40N-PC	PVCu window handle	Polished Chrome
P-YWHLCK40N-PB	PVCu window handle	Polished Brass



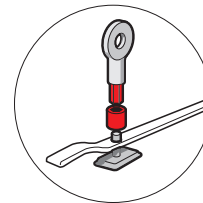
# Additional Security

# Window locks

## P111 Window Staylock

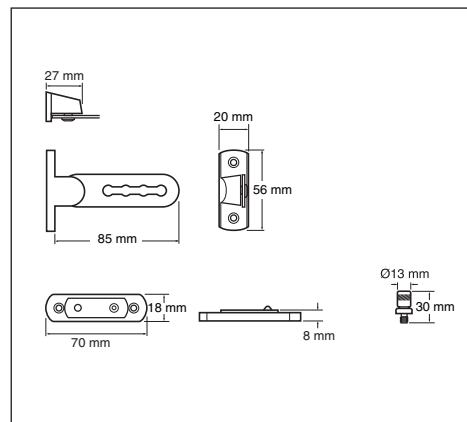


- Surface-fixed lock that replaces the stay-peg on the existing window fastener
- Available in packs of 2 and 6

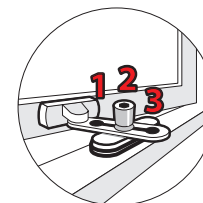


Prod Code	Item Description	Finish
P-2P111-PB-2	Pack of 2 Staylocks	Brass
P-2P111-SC-2	Pack of 2 Staylocks	Satin
P-6P111-PB-6	Pack of 6 Staylocks	Brass
P-6P111-SC-6	Pack of 6 Staylocks	Satin

## P117 Ventilation Window Lock

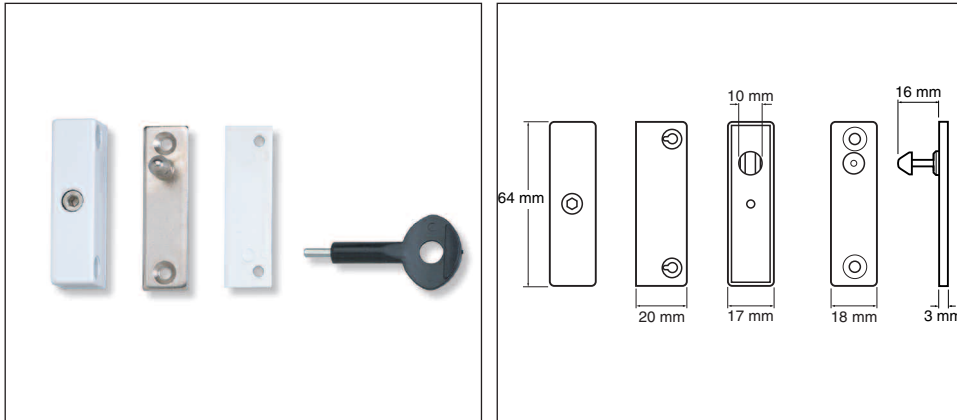


- Surface-fixed lock that offers restricted opening and locking in a ventilation position
- Restricts opening of window but allows ventilation
- Available in pack of 1 or 2

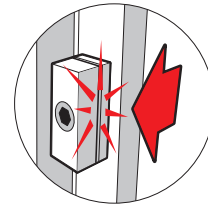


Prod Code	Item Description	Finish
P-117-WE	Safety locks	White
P-2P117-WE	Pack of 2 safety locks	White

**P118 Automatic Window Lock**

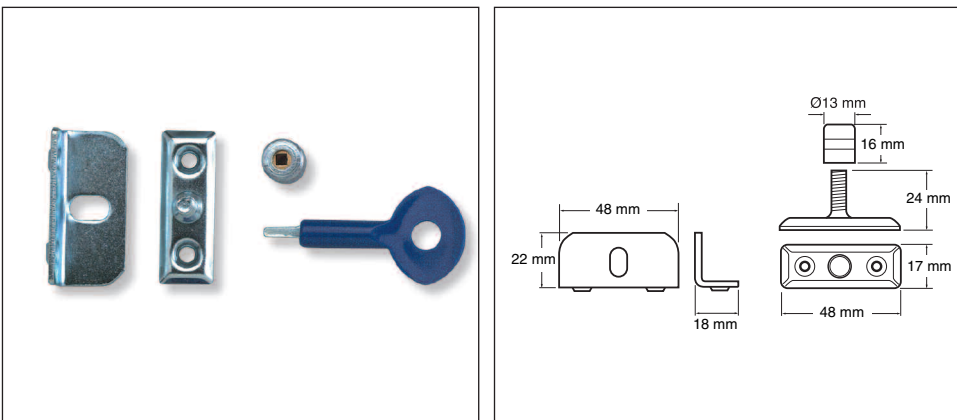


- Surface fixed lock which automatically snaplocks on closing the window
- Automatically locks when window is closed
- Key to open lock
- Available in packs of 1 or 2

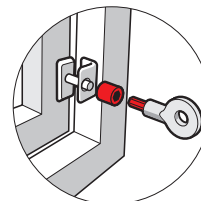


Prod Code	Item Description	Finish
P-118-WE	White auto window locks	White
P-2P118-WE-2	Pack of 2 Auto window locks	White
P-2P118-PB-2	Pack of 2 Auto window locks	Brass

**P112 Window Screwlock**



- Surface fixed lock that secures the window to the window frame
- Pack of 6
- Suitable for casement and narrow windows



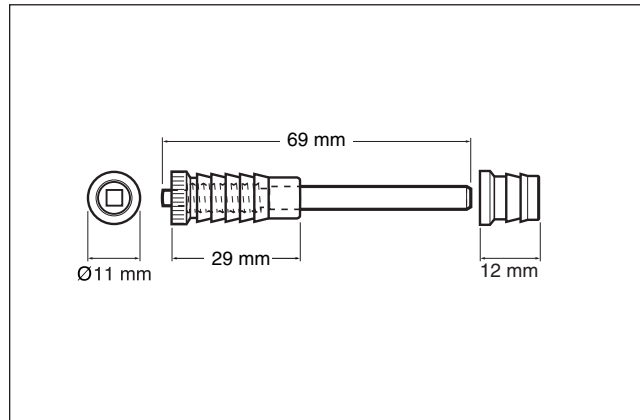
Prod Code	Item Description	Finish
P-6P112-SC-6	Window Screwlock	Chrome



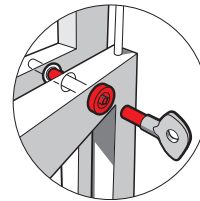
# Additional Security

# Window locks

## P119 Sash Window Bolt



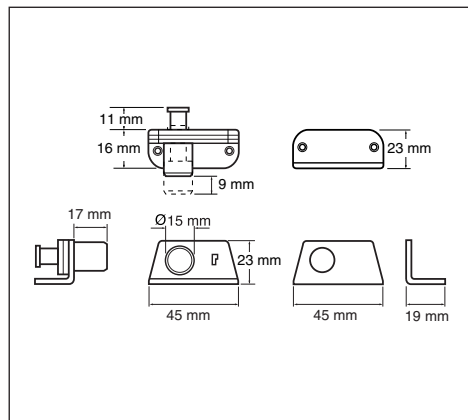
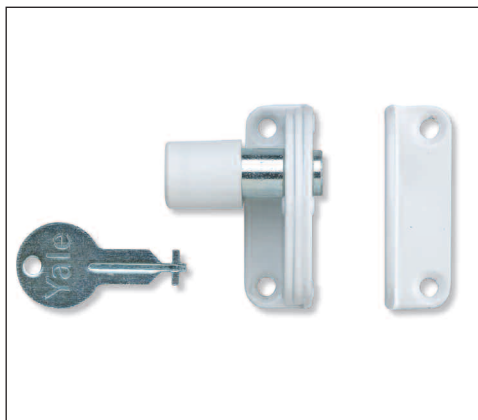
- Simple bolt fixing which secures inner and outer frames of sash window, preventing movement
- Recommended that 2 bolts are used on each frame
- Bolts concealed within the window
- Pack of 6
- Suitable for timber sash windows



Prod Code	Item Description	Finish	Replaces Chubb Part No.
P-6P119-6	Sash window bolt	Brass	V-8K104-6-PL

**SUITABLE REPLACEMENT FOR CHUBB V-8K104-6-PL**

## P123 Sash Window Pressbolt



- Lock incorporating a pressbolt preventing the inner and outer frames of the sash window from passing each other
- For use on sash windows

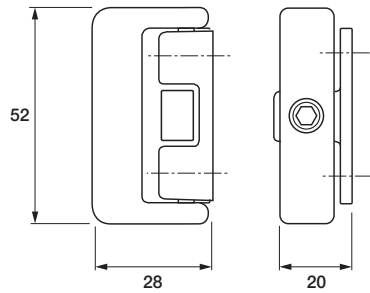


Prod Code	Item Description	Finish
P-123-WE	Sash window pressbolt	White



**8K101 Window Lock**

**TRADE  
PACKS  
AVAILABLE**

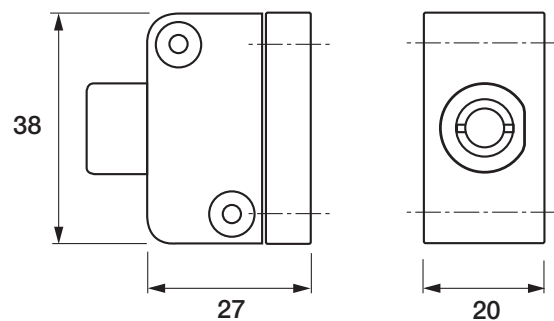


- Lock is surface fixed onto the window section and is locked around the frame fixed staple by use of the key
- A clenching action helps to pull the window to the frame to reduce draughts
- Suitable for hinged timber casement windows



Prod Code	Finish	Pack
V-8K101-4-WE	White	4 in pack
V-8K101-4-BR	Brown	4 in pack
V-8K101-4-EB	Brass	4 in pack
V-8K101LK-EB	Brass	1 in pack
V-8K101LK-WE	White	1 in pack
V-8K101K-2	-	Pack of 2 keys
<b>B-8K101-50-BR</b>	<b>Brown</b>	<b>Pack of 50</b>
<b>B-8K101-50-WE</b>	<b>White</b>	<b>Pack of 50</b>
<b>B-8K101K-20</b>	<b>-</b>	<b>Pack of 20</b>

**8K102 Window Lock**



- Lock for surface fixing to the fixed frame which is locked onto the lock plate on the window section by pushing the lock barrel
- Easy to use 'Push to lock' system
- Released by key
- Suitable for hinged timber casement windows



Prod Code	Finish	Pack
V-8K102-WE	White	1 in pack
V-8K102K-2	-	Pack of 2 keys

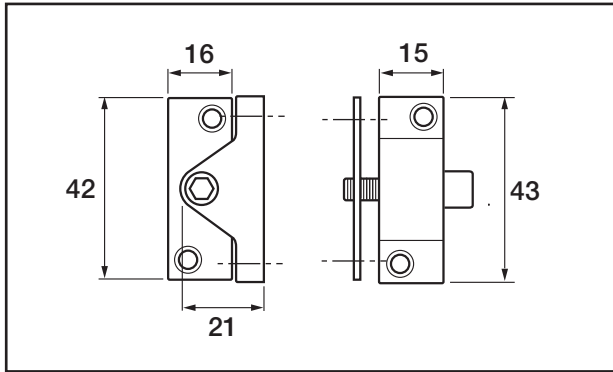


# Additional Security

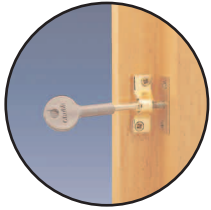
# Window locks

## 8K118 Window Lock

**TRADE  
PACKS  
AVAILABLE**



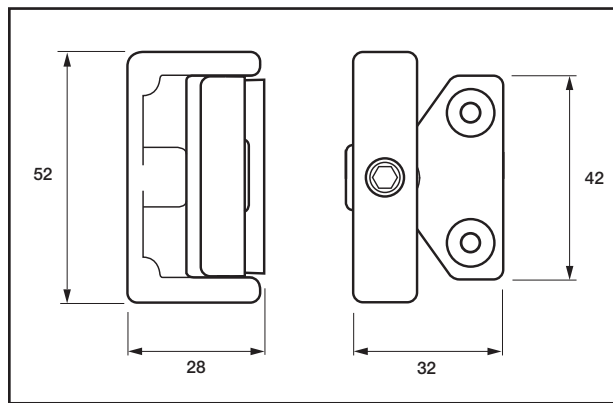
- Lock is surface fixed onto the window section, locking into the fixed frame by use of the key
- Suitable for hinged timber casement windows



Prod Code	Finish	Pack
V-8K118-4-EB	Brown	4 in pack
V-8K118-4-WE	White	4 in pack
V-8K118-8-EB	Brass	8 in pack
V-8K118-8-WE	White	8 in pack
<b>B-8K118-50-WE</b>	<b>White</b>	<b>Trade pack of 50</b>

## 8K106 Window Lock

**TRADE  
PACKS  
AVAILABLE**



- Lock is surface fixed onto the window section and is locked around the frame fixed staple by use of the key
- For use on metal windows only



Prod Code	Finish	Pack
V-8K106-2-WE	White	2 in pack
<b>B-8K106-20-WE</b>	<b>White</b>	<b>Pack of 20</b>

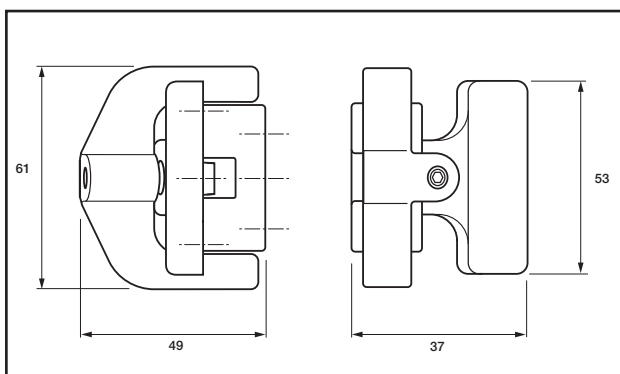


# Additional Security

## Window locks

### 8K123 Window Lock

USE ON PVCu WINDOWS



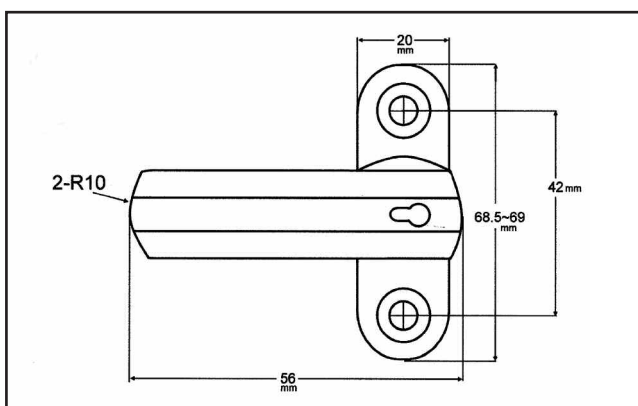
- Lock for surface fixing onto the window section which is locked around the frame fixed staple by use of the key
- For use on PVCu windows only



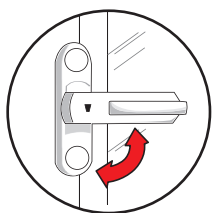
Prod Code	Finish	Pack
V-8K123LK-WE	White	1 in pack

### 8K103 PVCu Window Lock

USE ON PVCu WINDOWS

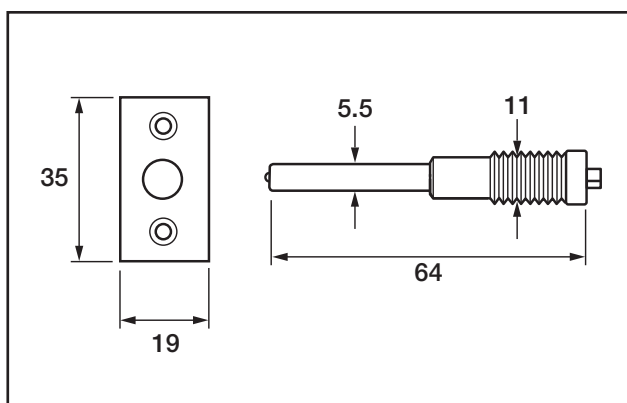
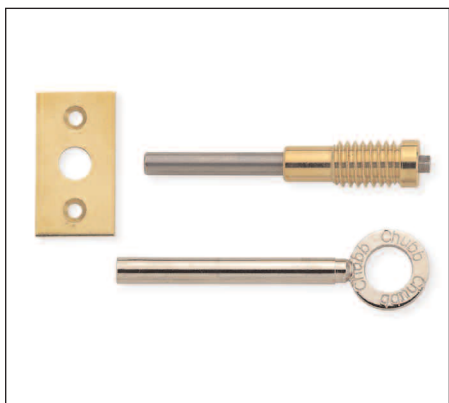


- Suitable for surface fixing to PVCu windows
- Simple push to lock action with key to release
- Supplied with a selection of packers for different window sizes



Prod Code	Finish	Pack
V-8K103-WE	White	1 in pack

**8013 Window Lock**

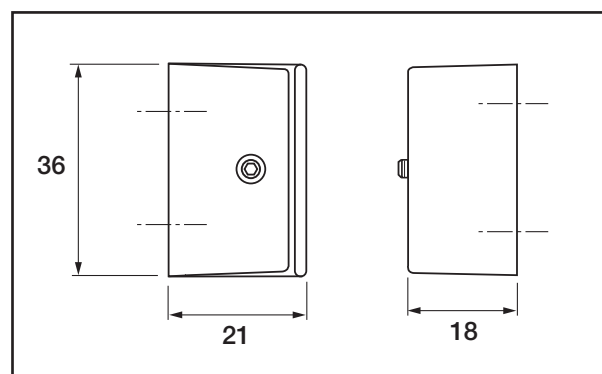
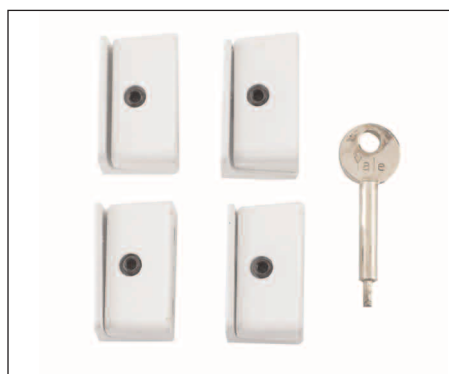


- The threaded lock barrel is fixed into the inner frame and the window is secured by locking the inner bolt into the barrel and frame using the key
- Can also be used in hinged windows
- Screw in fitting barrel



Prod Code	Finish	Pack
V-8013-2-PL	Brass	2 in pack
V-8013K-2	-	Pack of 2 keys

**8K109 Window Lock**



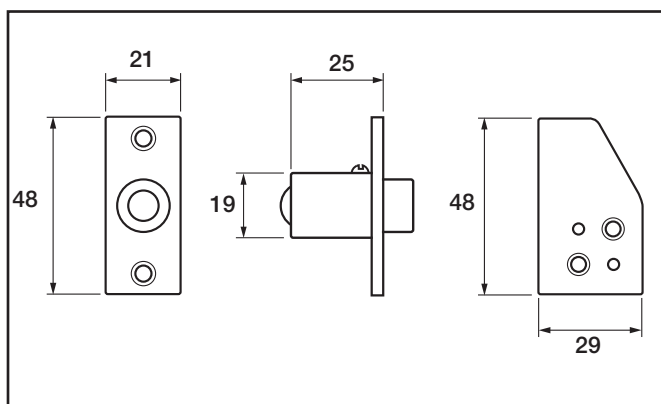
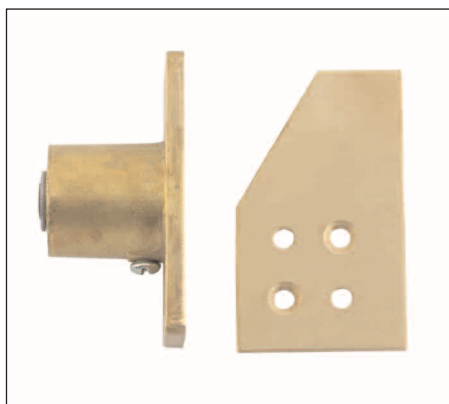
- Lock is surface fixed onto the window section, locking into the fixed frame by use of the key
- Suitable for hinged timber casement windows



Prod Code	Finish	Pack
V-8K109-4-WE	White	4 in pack
V-8K109K-2	-	Pack of 2 keys



**WS1 Ventilation Lock**

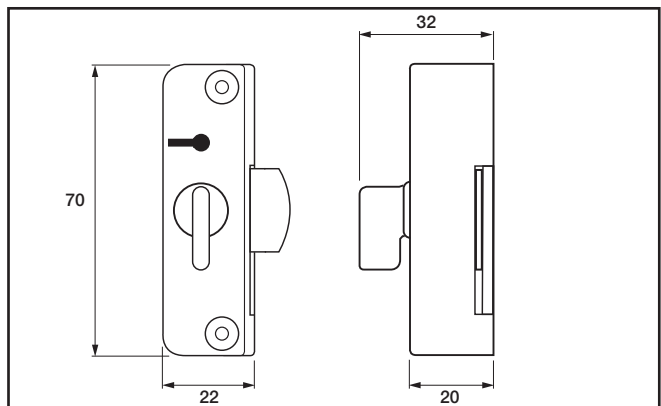


- A key operated bolt is morticed into the outer window frame which when locked out will prevent the inner window from opening
- Suitable for timber sliding sash windows



Prod Code	Finish	Pack
V-WS1-GL	Brass	1 in pack
V-WS1K-2	-	Pack of 2 keys

**8K100 Window Lock**

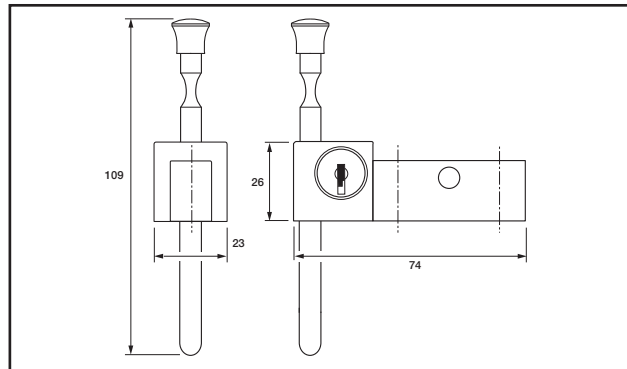


- Lock for surface fixing onto the window section
- Bolt is thrown into the fixed frame by turning the catch, the bolt is then unlocked with the key
- Suitable for hinged timber casement windows



Prod Code	Finish	Pack
V-8K100X1-WE	White	1 in pack
V-8K100X3-WE	White	1 in pack
V-8K100X12-WE	White	1 in pack
V-8K100KX1-2	-	Pack of 2 keys
V-8K100KX3-2	-	Pack of 2 keys
V-8K100KX12-2	-	Pack of 2 keys

**8K114 Window Lock**

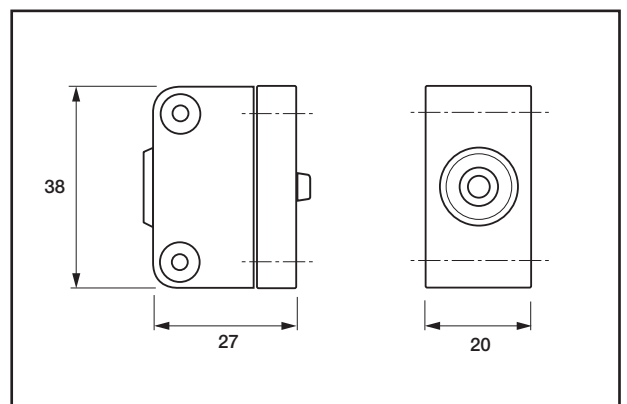


- Lock is surface fitted and secured by a locking bar which locks both window sections in place  
The bar is secured and released by the key
- Handy storage for locking bar when not in use
- One way security screws
- Suitable for timber sliding sash windows



Prod Code	Finish	Pack
V-8K114-WE	White	1 in pack

**8K120 Window Lock**



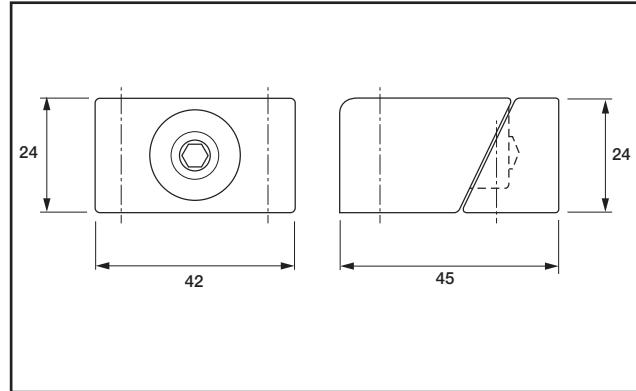
- Lock is surface fitted to the fixed frame and is automatically locked on closing the window
- Window and locking plate are released by key
- Suitable for hinged timber casement windows



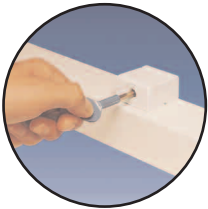
Prod Code	Finish	Pack
V-8K120LK-WE	White	1 in pack
V-8K120K-2	-	Pack of 2 keys



**8K108 Window Lock**

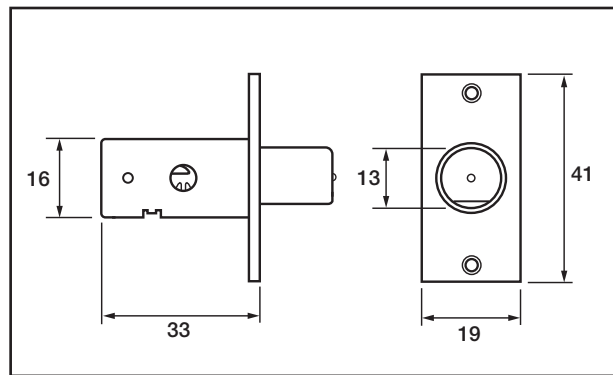


- Lock is surface fixed across the window sections and the case is locked to the lock plate using the key
- Suitable for timber sliding sash windows



Prod Code	Finish	Pack
V-8K108-2-WE	White	2 in pack
V-8K108K-2	-	Pack of 2 keys

**8001 Window Bolt**



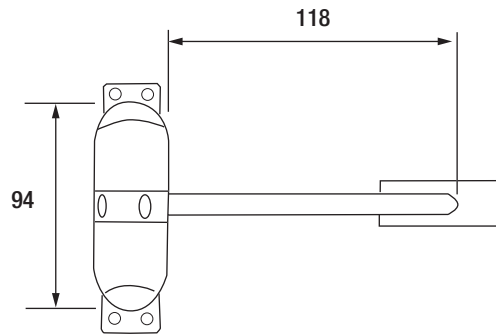
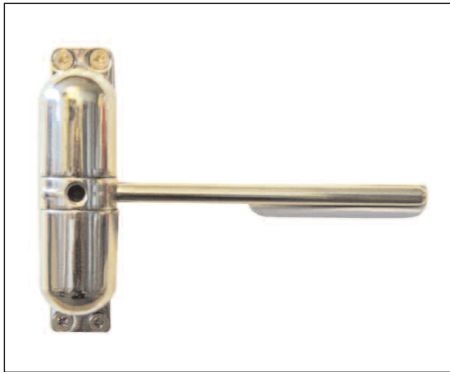
- Mortise bolt that fits into the window section and is shot into the frame with key
- Suitable for hinged timber casement windows



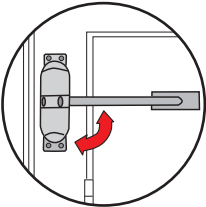
Prod Code	Finish	Pack
V-8001-2-PL	Brass	2 in pack
V-8001-2-WE	White	2 in pack
V-8001K-2	Brass	Pack of 2 keys
B-8001KX	Brass	4.50" long key
B-8001K-20	-	Pack of 20 keys

**P-YSMDC Surface Mounted Door Closer**

USE ON  
TIMBER  
DOORS



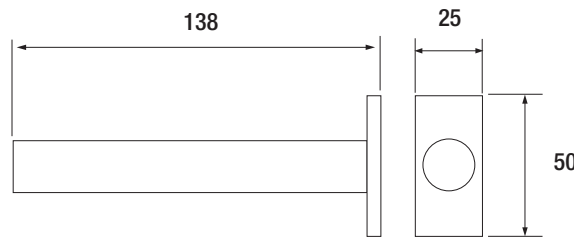
- Spring loaded door closer with adjustable tension
- Provides automatic closure of light-medium weight internal doors weighing up to 50kg
- Easy to fit
- Suitable for left and right hand fitting
- Included in successful fire test to BS EN 1634-1. Suitable for 1/2 hour fire doors



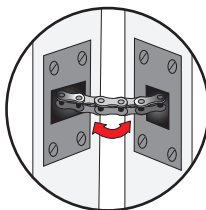
Prod Code	Finish
P-YSMDC-WH	White
P-YSMDC-PC	Polished Chrome
P-YSMDC-PB	Polished Brass

**P-YCJDC Concealed Door Closer**

USE ON  
TIMBER  
DOORS



- A concealed door closer that is fitted into the hinge side of the door
- Provides automatic closure of light - medium weight internal doors weighing up to 50kg
- Suitable for left and right hand fitting
- Supplied with all fixings
- Included in successful fire test to BS EN 1634-1. Suitable for 1/2 hour fire doors



Prod Code	Finish
P-YCJDC-EB	EB