

Yale® Universal Door Handle Fitting Instructions

Tools Required



Cross Head
Screwdriver

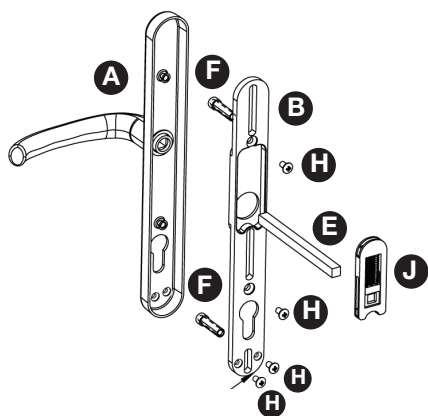


Hacksaw

Pack Includes

- | | |
|---|--|
| <ul style="list-style-type: none"> A. 1 x External handle B. 1 x External fixing plate C. 1 x Internal handle D. 1 x Internal fixing plate E. 2 x Spindles (1 x spindle for 60 – 70mm wide (PVCu) doors /
1 x spindle for 45mm wide (Composite) doors) F. 2 x Fixing lugs | <ul style="list-style-type: none"> G. 4 x Fixing screws (2 x screws for 60 – 70mm wide (PVCu) doors /
2 x screws for 45mm wide (Composite) doors) H. 4 x Small fixing screws for external fixing plate I. 2 x Small painted fixing screws for internal door handle J. 2 x Spring cassettes |
|---|--|

External Handle Assembly



Please note:

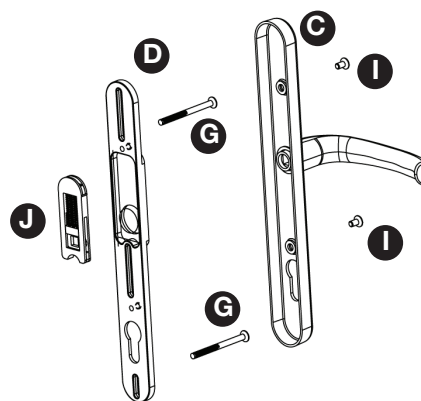
- You should have checked that your current handle has a 92mm lock centre and this new handle covers your fixing screw positions prior to opening the packaging.
- You may need to cut down the length of the spindle and fixing screws with a hack saw if the ones supplied do not fit your door width.

Fitting Instructions

1. Open your door so that you can reach both sides of the handle.
2. Unscrew the screws on the inside handle and pull apart the handles on both sides of the door. Remove the existing spindle from the lock.
3. Take the external fixing plate and place the 2 fixing lugs in the screw hole positions that match your current handle.
4. Place the external fixing plate with the 2 fixing lugs into the back of the external door handle. Use the 4 small screws provided to securely fasten the external fixing plate to the external door handle.
5. Insert the spring cassette into the back of the external handle.
6. Select the spindle for your door ensuring that the spindle protrudes on both sides of the door by at least 20mm.
7. Move the lever of the handle horizontal to the back plate and place the spindle through the spring cassette and into the lever.
8. Place the external handle onto the door making sure the handle fits over the euro profile cylinder and the fixing lugs are located in the old fixing hole positions.
9. Take the second spring cassette and place it over the spindle on the inside of the door.
10. Push the spring cassette flush against the door and then place the internal fixing plate over the top.
11. Select the fixing screw size for your door width and locate the screws into the fixing hole positions. Screw the fixing screws into the fixing lugs onto the external plate, ensuring the plate is vertical on the door.
12. Take the internal door handle, move the handle to the horizontal position and then place over the spindle and push flush to the door.

Tip: If the screw holes of the internal door handle do not match up with the internal fixing plate you may need to re-position the internal fixing plate by loosening the fixing screws and moving the plate up or down. Once the correct position has been located tighten the fixing screws on the internal fixing plate.

Internal Handle Assembly



13. Secure the internal door handle to the internal fixing plate with the 2 small painted screws provided.
14. The handle is now fitted to your door. Check the operation of the handle to make sure the handle and lock are operating correctly.

How To Care For Your Handle

- The surface of the product should be cleaned with a soft damp cloth taking care not to scratch the surface finish. Under no circumstances should cleaning detergents be used to clean the product as this may cause damage to the finish.



The world's favourite lock since 1843

School Street, Willenhall, West Midlands WV13 3PW
www.yale.co.uk Tel: +44 (0) 1902 364647 E-mail: info@yale.co.uk

Issue No: 01-2012