

# Instructions

Please keep for future reference

## SAA5050 Ceiling mounted alarm

with remote control

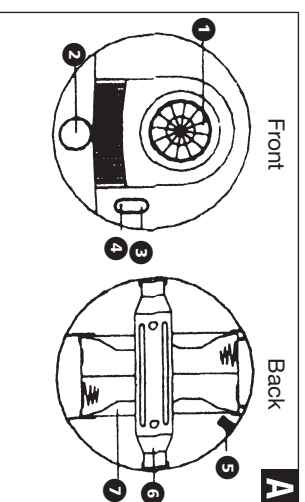
Helpline  
+44 (0) 1902  
635998



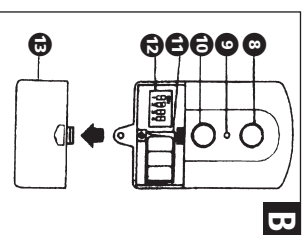
Yale®

### Controls

- 1 Motion sensor
- 2 Siren
- 3 Infrared Remote Receiver
- 4 Battery Low Indicator LED
- 5 4.5V AC Adaptor Socket (AC adaptor not included)
- 6 Mounting plate
- 7 Battery Compartment



- 8 Arm button
- 9 LED
- 10 Disarm button
- 11 Battery compartment
- 12 Programmable switch
- 13 Battery cover



### Battery installation

#### Alarm unit

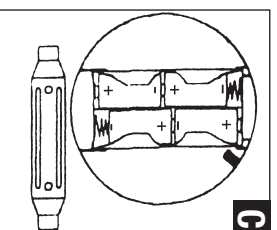
- 1 The battery compartment is accessed from the rear of the alarm unit by removing the screws from the side and lifting the mounting plate **A**.
- 2 Insert 4 'C' size batteries (not included) following the polarity **B**.
- 3 When the last battery is inserted the alarm will beep very loudly to indicate that the batteries are installed properly.

- 4 Replace the back cover and fix with screw.

The Battery Low LED will light when the batteries need replacing.

#### Remote control

The remote control uses 3 LR44 batteries (included). If the red light on the remote control does not come on when either the 'ARM' or 'DISARM' buttons are pressed, then the batteries need to be replaced. Diagram **B** shows where the batteries are located. Simply remove and replace with fresh batteries.

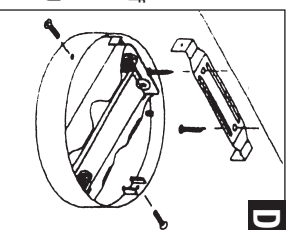


### Programming the alarm

- 1 To set or change the security code of the remote control, simply set the programmable switches **12** to the desired code and remove the batteries from the alarm unit. Then wait at least 30 seconds for the alarm to reset.
  - 2 Immediately after inserting the batteries point the Remote Control at the alarm and press the 'ARM' button, the Alarm LED will flash once to indicate that it has learnt the code of the remote control.
- NOTE: The alarm must be re-programmed with the remote control each time the batteries are removed or replaced.

### Installation

- 1 Place the alarm in the desired location, preferably on the ceiling in the centre of the area needing to be protected.
- 2 Remove the mounting plate and fix it to the ceiling using the



- 3 screws and rawplugs supplied **D**. The alarm body can then be fixed into place on to the mounting plate and secured using the screws at the sides.

### Operation

#### When exiting from the protected area

Point the remote control at the alarm unit and press the 'ARM' button. A confirmation tone will indicate that the alarm is armed and you have 30 seconds in which to vacate the area. After this time, if motion is detected then the alarm will sound.

#### When entering the protected area

Simply point the remote control at the alarm unit and press the 'DISARM' button. Please note that on entering the area, there is a short beep to indicate that motion has been detected and a 4 second delay before the alarm will sound to allow it to be disarmed.

#### Detection range

The motion detector of the alarm unit has a detection range of 360°.

### Care and maintenance

To clean the case, simply use a soft slightly damp cloth with water and wipe dry immediately.

CAUTION: Never use chemicals to clean the case, as they may cause damage to the plastic and cause the alarm not to function.

### Troubleshooting

#### The unit does not sound when the batteries are installed

Ensure that the batteries are connected correctly according to the diagram in the battery compartment

#### The alarm does not arm

Ensure that the back plate of the alarm unit is secure to hold the batteries in place and that the red light comes on when the 'ARM' or 'DISARM' buttons are pressed.

The red light on the base of the alarm unit is on

This is the 'Battery Low Indicator'. The batteries need replacing

The red light on the remote control does not light up when the buttons are pressed  
Remove the battery cover of the remote control and replace the batteries as per the instructions listed above

### Battery precautions

When using this product follow these precautions at all times.

- Use only the appropriate size batteries
- Be sure to follow the correct polarity when installing the batteries as indicated in the battery compartment. Incorrect polarity may cause damage to the alarm.
- Do not mix different types of battery such as Alkaline and Carbon-zinc or old batteries with new.
- If the alarm is not used for long periods of time, remove the batteries to prevent damage or injury from possible battery leakage.
- Do not recharge batteries not intended to be recharged as they can overheat and rupture. (Always follow the manufacturer's directions.)

