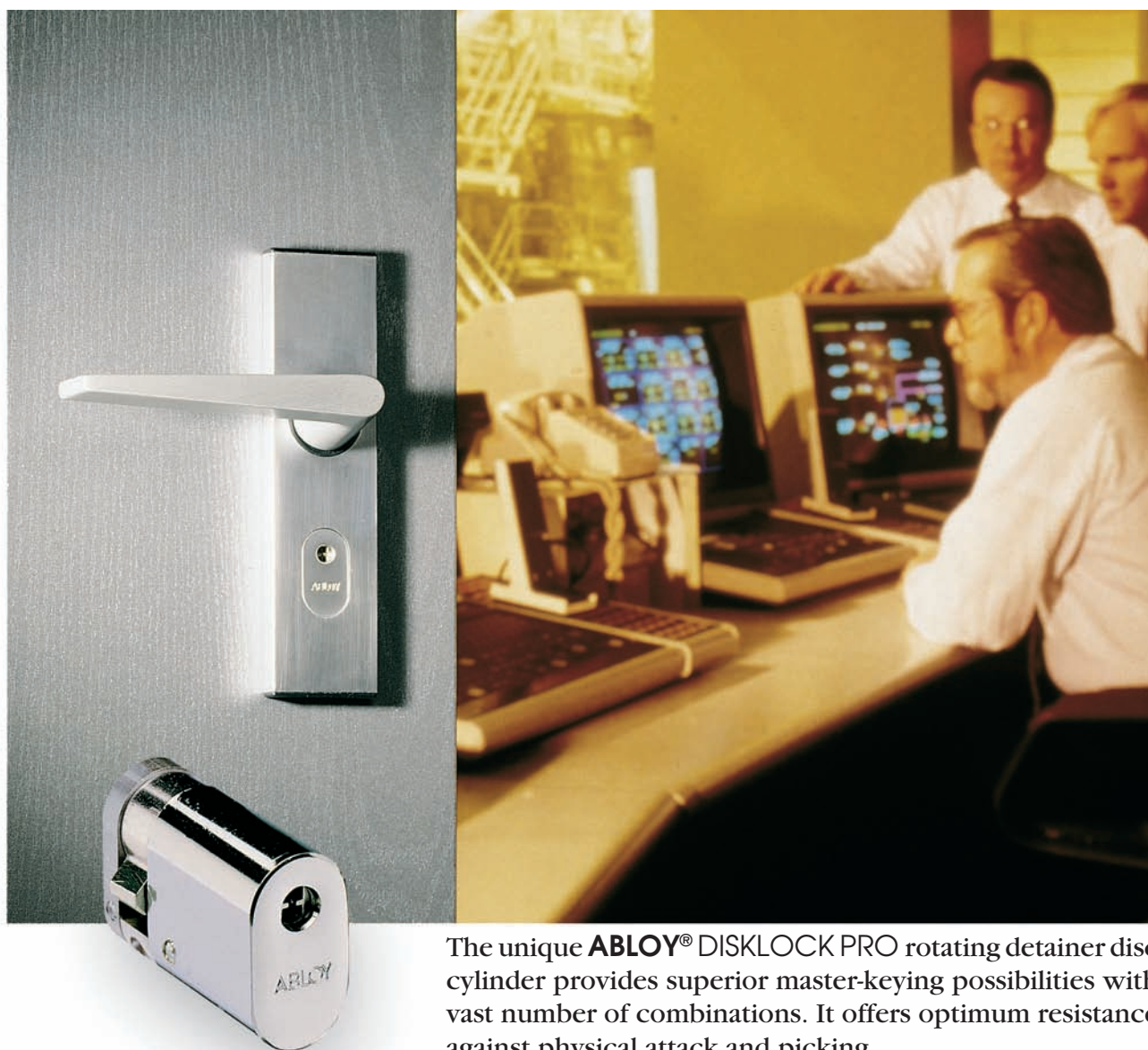


ABLOY® DISKLOCK PRO

UK OVAL CYLINDERS



The unique **ABLOY®** DISKLOCK PRO rotating detainer disc cylinder provides superior master-keying possibilities with vast number of combinations. It offers optimum resistance against physical attack and picking.

CYLINDERS ARE USED IN UK OVAL LOCK CASES.

CONSTRUCTION:

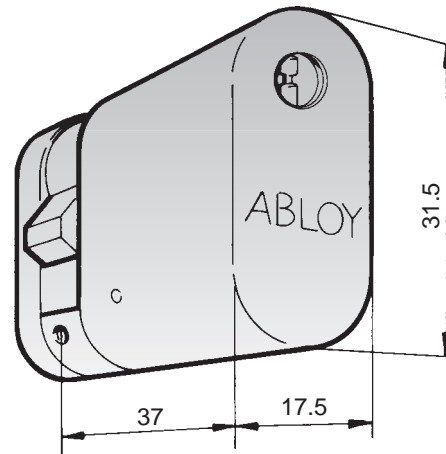
Cylinder housing	Brass
Cylinder plug	Brass
Thumbturn (in CY312)	Zink
Discs and washers	Tin Bronze
Number of discs	11

FINISHES AVAILABLE:

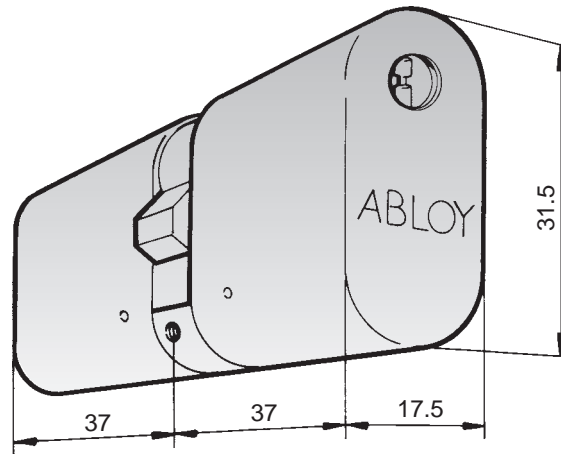
- Bright Chrome
- Bright Brass
- Satin Chrome
- Satin Brass
- Brown Oxidizing

Cylinders can be extended in 5 mm increments.

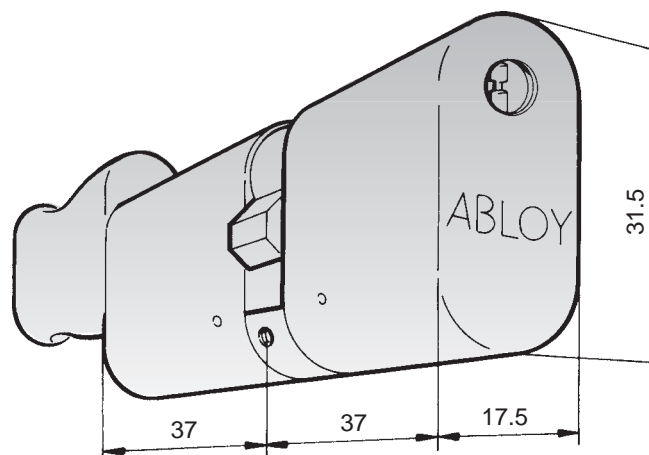
CY310 UK OVAL SINGLE CYLINDER



CY311 UK OVAL DOUBLE CYLINDER



CY312 UK OVAL SINGLE CYLINDER WITH THUMBTURN



Abloy Oy
 Wahlforssinkatu 20
 P.O. Box 108
 FI-80101 JOENSUU
 FINLAND
 Tel. +358 20 599 2501
 Fax +358 20 599 2209



www.abloy.com

An ASSA ABLOY Group company

ASSA ABLOY

Abloy Oy is one of the leading manufacturers of locks, locking systems and architectural hardware and the world's leading developer of products in the field of electromechanical locking technology.

The ASSA ABLOY Group is the world's leading manufacturer and supplier of locking solutions, dedicated to satisfying end-user needs for security, safety and convenience.