

Optimum 1-Point Mortice Lock



ASSA ABLOY

ASSA ABLOY, the global leader
in door opening solutions.



The Lockwood Optimum Mortice Lock range offers a new and improved locking system. The Optimum 1-Point provides basic security and is suitable for residential applications.

Features

- The handing of the lockset is adjusted by reversing the orientation of the latch bolt
- Standard kits are supplied with furniture and keyed cylinder
- Can be keyed alike to other ASSA ABLOY CYL4™ 5-Pin locks for one key convenience
- Adjustable latch projection
- Stainless steel forend plate
- Achieves Australian Standards AS4145: 1993 (Part 2) Security Level S1 and Durability Level D2
- New Zealand made

Options

- Available in 30mm backset
- Available with standard Verona furniture
- Double cylinder, cylinder and turnknob, half cylinder or half turnknob

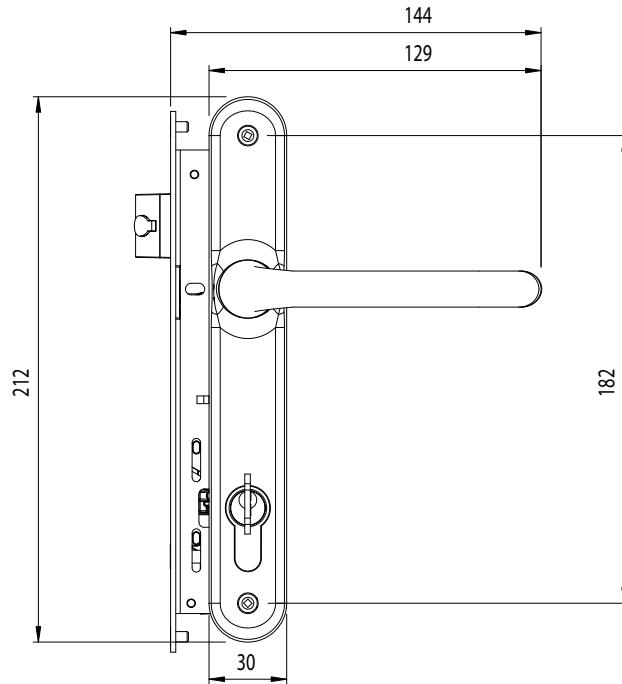
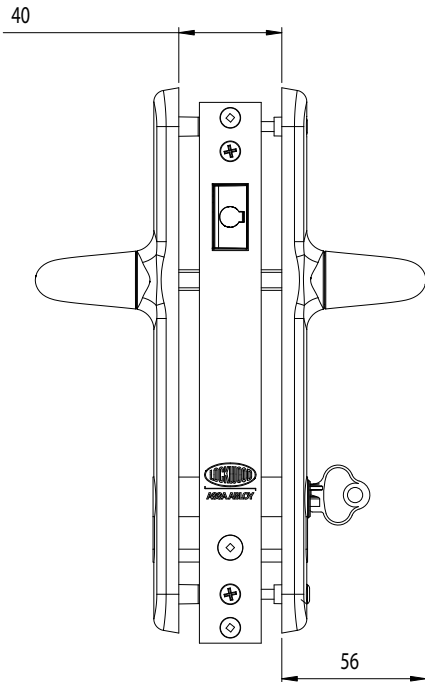
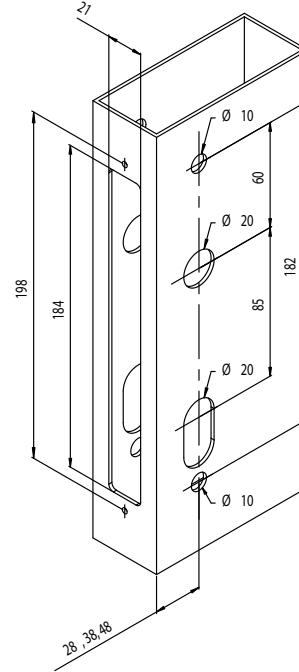


Optimum

1-Point Mortice Lock



ASSA ABLOY



RES-FLY-013 0609NZ