

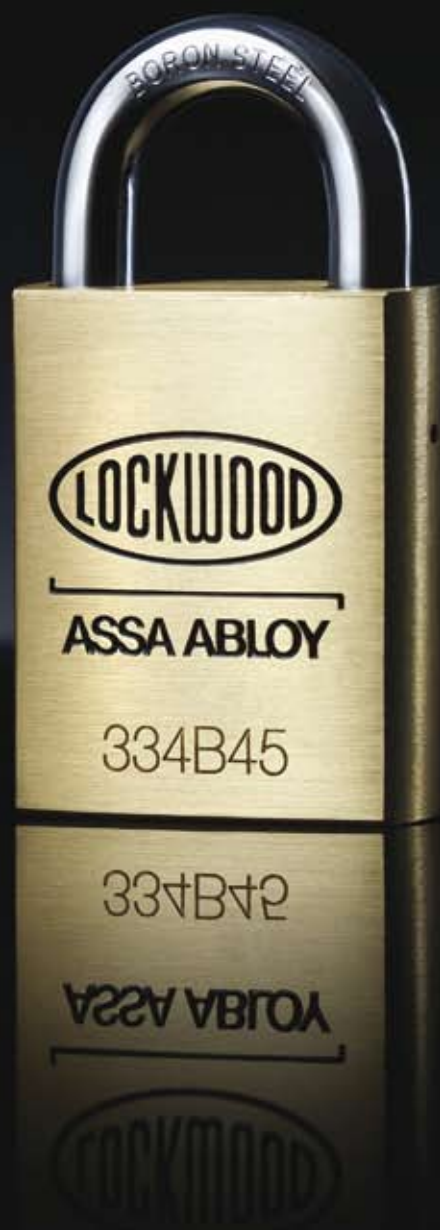
334 Series Padlock

featuring the Rapid Change Shackle

LOCKWOOD

ASSA ABLOY

ASSA ABLOY, the global leader
in door opening solutions



With easy, rapid-change shackles and a number of additional superior features, ASSA ABLOY's new Lockwood 334 series padlock is the ideal choice for locksmiths who require strong, convenient and versatile padlocks. The 334B45 padlock is of industrial quality and offers high security for most applications.

The 334 has key retention (or deadlocking) capabilities built conveniently within the padlock's assembly. This feature is activated by simply shifting the key retention pin to an alternate position inside the padlock – no cam change is required. Furthermore, the compact locking cam cassette with preloaded ball driver return spring makes reassembly of the padlock components easy.

The rapid-change jig facilitates fast and effortless shackle change, without the need to remove the cylinder. With three standard sizes available (25mm, 48mm and 90mm) in either boron steel alloy, brass or marine quality stainless steel, simply swap the shackle of the 334 Padlock to suit a range of applications. The Lockwood 334 also has an industry standard 570 cylinder plug making it compatible with Generation 6 and a wide range of restricted keyways. This enables it to be keyed alike to other ASSA ABLOY locks for one key convenience.

Features and Specifications:

- All 334B45 Padlocks are designed with the rapid change shackle feature for fast and easy shackle change
- Ø8.7mm x 25mm, 48mm and 90mm standard boron steel shackle options
- Stainless steel and brass options also available
- Compact locking cam cassette for convenience when reassembling the padlock
- Self latching double ball locking is standard
 - easily converts to key retention
 - no cam change required
- Heavy duty solid brass case with redesigned shackles for greater pulling resistance
- Stainless steel cylinder retainer and cam screws for higher corrosion resistance
- Industry standard 570 cylinder plug: restricted keyway and one key compatible

Accessories Available:

- Shackle changing jig
- LPAK accessory kit
- Weather cover for protection against outdoor conditions
- Shackle chain retaining collar
- Personalised logo service

Shackle Change Procedure

Step 1
Fit the 334 series padlock into the jig with key inserted.



Step 2
Press down on the face of the padlock. The key will turn and release the fitted shackle.



Step 3
Fit the selected 334 shackle. Remove padlock from jig.

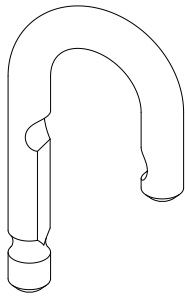


334 Padlock Components

Boron Shackles

- LPT334-119*
- LPT334-125
- LPT334-138*
- LPT334-148
- LPT334-190

* Non standard option

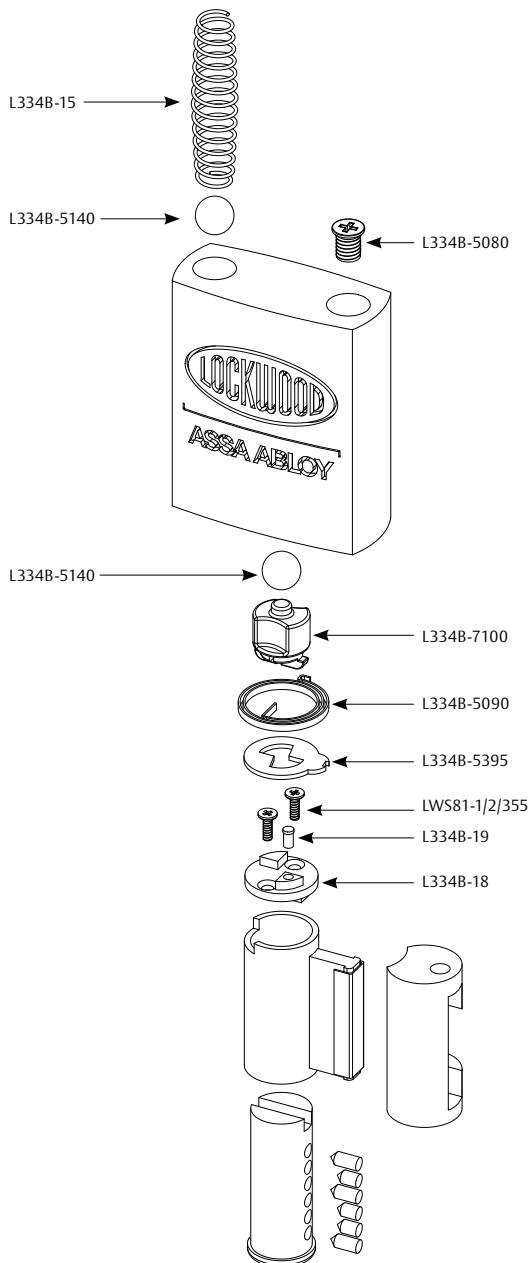


Stainless Steel Shackles

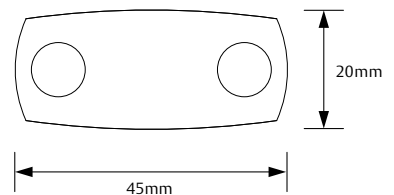
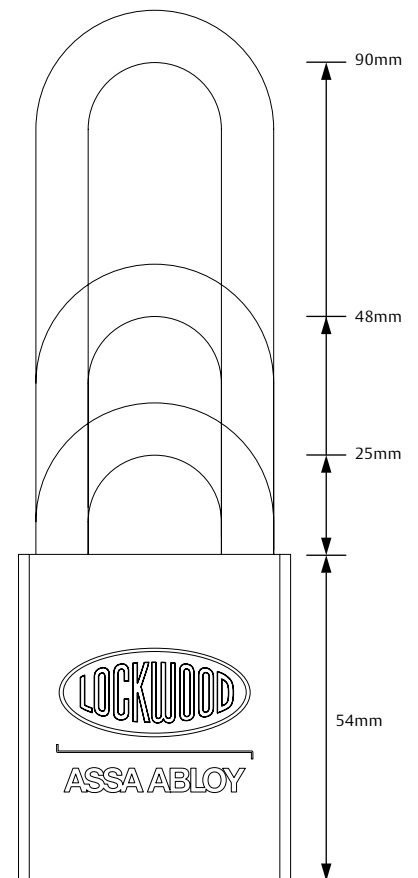
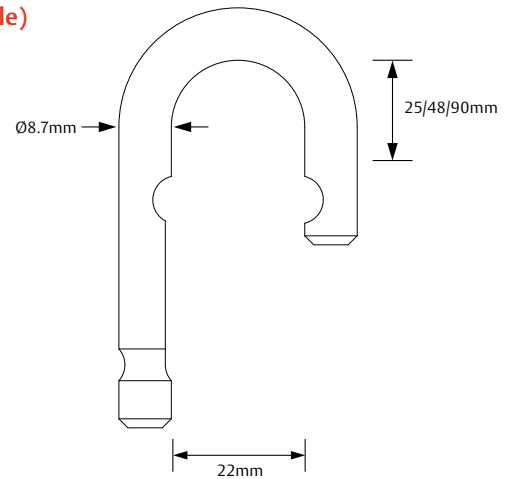
- LPT334-619*
- LPT334-625
- LPT334-638*
- LPT334-648
- LPT334-690

Brass Shackles

- LPT334-225
- LPT334-248



334 Padlock & Shackle Dimensions (80% Scale)



Ordering Procedure

Sample Part Number L334B45/125/6KD is made up of several sections. Choose your product by selecting an option from each section.

For example:

Padlock Series	Body Material	Body	Shackle Material	Shackle Opening	Keying Option
L 334	B	45	1	25	6KD

Padlock Series	Shackle Opening
Padlock 334	Nominal Vertical Clearance in MM - 25, 48, 90
Body Material	Keying Option
Brass B	6-Pin Keyed to Differ 6KD
Body	6-Pin Keyed Alike 6KA
Nominal Size in MM 45	Less Plug (Barrel) LP
Shackle Material	Less Plug, Less Shackle LPLS
Boron Alloy 1	
Brass 2	
Stainless Steel 6	

Personalised Logo Service

Take advantage of ASSA ABLOY's free engraving service to promote your identity.

ASSA ABLOY takes your design and gives you the option of engraving it on Lockwood 334 series brass padlocks. With a minimum order of 20 units, you can personalise these products by scribing your company name, logo, phone number, website, or even your customer's details. Increase exposure of your business and gain repeat customers by ensuring they think of you first for their padlock and cylinder needs.

- Additional service to offer to your customers
- Also great to offer to your customers for identification of their padlocks for certain areas of a site or for departments within their business
- Gain repeat business and excellent exposure with increased logo recognition



Auckland
6 Armstrong Road, Albany
North Shore City 0745
New Zealand
Customer Services:
Phone +64 9 415 7888
Fax +64 9 415 7889

Wellington
Level 3, Home Ideas Centre
10 Hutt Road, Petone
Lower Hutt 5012, New Zealand

Christchurch
112 Wordsworth Street,
Sydenham, Christchurch 8023
New Zealand



ASSA ABLOY

ASSA ABLOY, the global leader
in door opening solutions